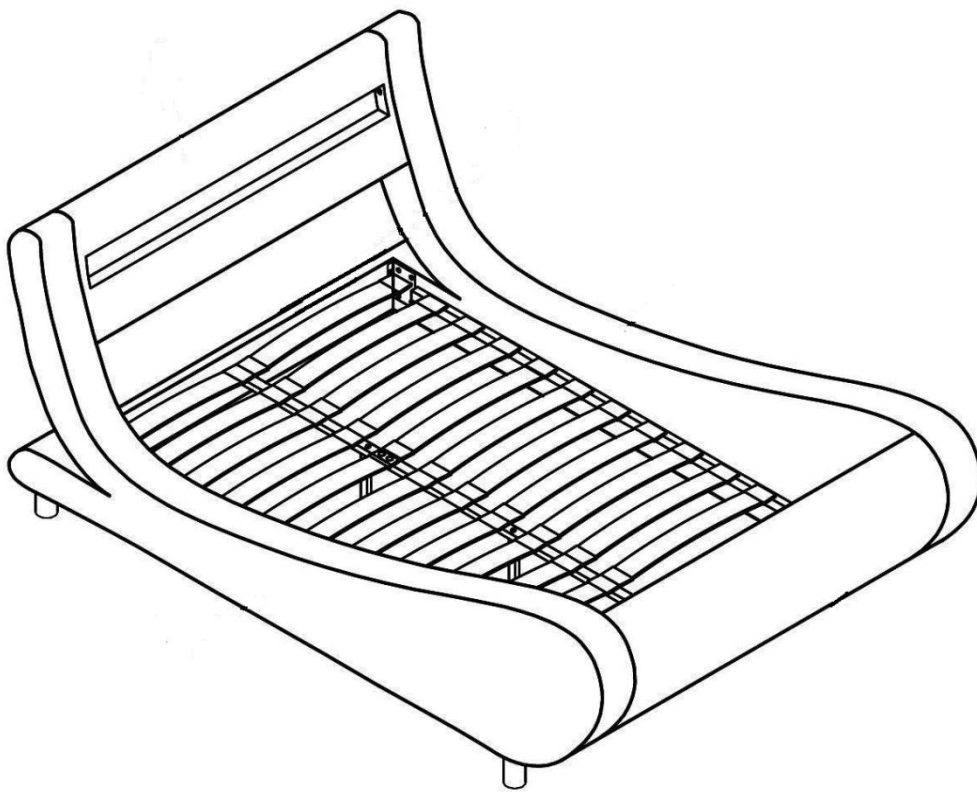
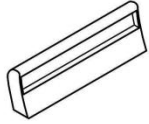
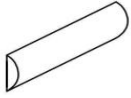
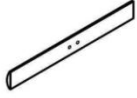





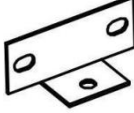

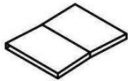
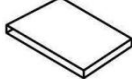
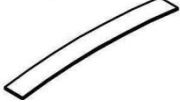




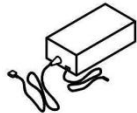
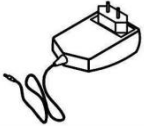
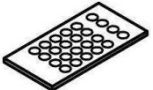


# NATACHA

1321\_81431

1321\_81432



1321_81431 1321_81432				
A		1400X90X380MM	X 1	1/2
B		1410X80X230MM	X 1	1/2
C		1410X25X120MM	X 1	1/2
D		2120X50X660MM	X 2	2/2
E		1900X40X30MM	X 1	2/2
F		65X20X6MM	X 1	2/2
G		80X40X30MM	X 2	2/2
H		8 X 20MM	X 22	2/2
I		95X40X40MM	X 2	2/2
J		8 X 50MM	X 10	2/2
K		55X52X25MM	X 12	2/2
L		55X30X25MM	X 24	2/2
M		700X50X10MM	X 24	1/2
N		50 X 40MM	X 4	2/2

O		5 X 50MM	X 4	2/2
P		N/A	X 1	2/2
Q		N/A	X 1	2/2
R		82X50X5MM	X 1	2/2
S		95X40X40MM	X 4	2/2
T		1820X30X30MM	X 2	2/2

FR : SAV/INFORMATION /VIDEO/CONTACT

EN: AFTER-SALES SERVICE/INFORMATION/VIDEO/CONTACT

DE : REPARATUR-SERVICE UND ERSATZTEILE /INFORMATIONEN /VIDEO/KONTAKT

ES: SERVICIO POST-VENTA/INFORMACIÓN/VIDEO/CONTACTO

IT: SERVIZIO ASSISTENZA/INFORMAZIONI/VIDEO/CONTATTO

PT: SERVIÇO PÓS-VENDA/INFORMAÇÕES/VIDEO/CONTATO

PL: SERWIS TECHNICZNY/INFORMACJE/WIDEO/KONTAKT

NE: AFTER SALES SERVICE/INFORMATIE/VIDEO/CONTACT

HE: לאחר שירות ומכירות/מידע /הווידיאו/לתקשר עם

[SAV.HABITATETJARDIN.COM](http://SAV.HABITATETJARDIN.COM)

